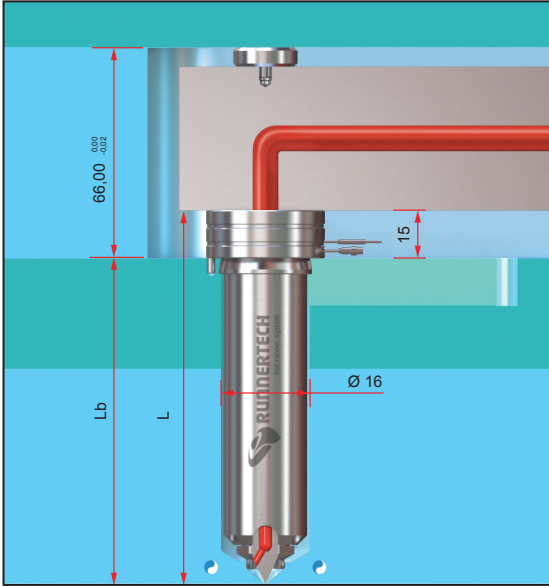


# OPEN SYSTEM SERIE 8

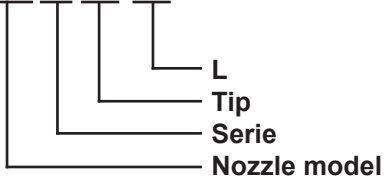


Ref.	L	Lb
RHT8-XX-100	100	85
RHT8-XX-110	110	95
RHT8-XX-120	120	105
RHT8-XX-130	130	115
}		
RHT8-XX-180	180	165

TECHNICAL SPECIFICATIONS	
Diam.Channel	5mm
Lmin.	100,00mm
Lmax.	180,00mm
Thermocouple	Type J
Torque Wrench	14 mm
Torque	12 N.m
Gate diam.	0,6-1,0mm
Min.Pitch	20mm

CODE FOR ORDER:

**RHT 8 -HN-100**



Viscosity	Material	Shotweight (g)					
		HN	HL	HC	HS	HD	HT
High	PP, PS, PE...	15	10	15	15	15	20
Medium	ABS, POM, SAN...	8	-	8	8	8	-
Low	PC, PBT...	-	-	-	-	-	-

